

最大程度满足用户的需求、与用户共同成长
Try our best to meet the customers' needs and Grow up together!



成都戴梦迪超硬工具有限责任公司
CHENGDU DIAMOND TOOLS CO.,LTD

地址：成都市青羊区蛟龙工业港黄海路3座
邮编：610091

电话：028-87075862 87073551

传真：028-87075870

Http://www.cddmd.com E-mail:dmd@cddmd.com

Chengdu Diamond Tools CO.,LTD.

ADD:Building 3 HuangHai Road JiaoLong Industry

Port of Qingyang District,Chengdu,China

POST:610091

TEL:0086-28-87075862/87073551

FAX:0086-28-87075870

硬质合金成形刀片

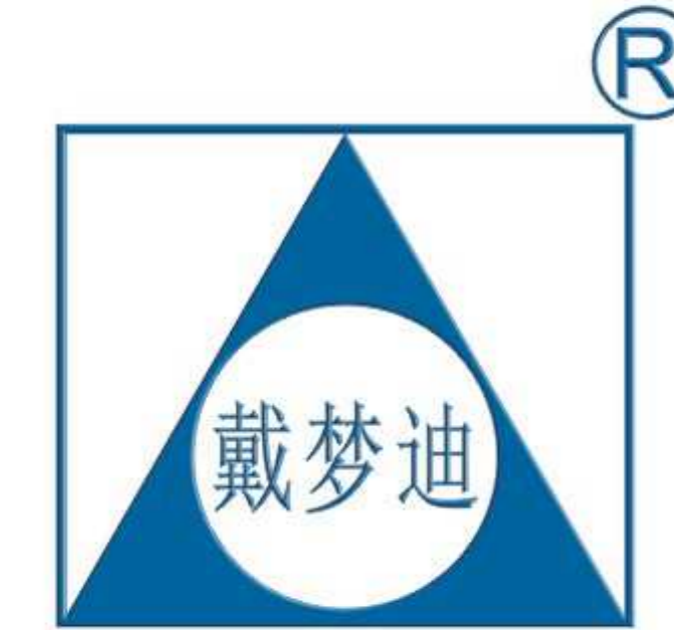
Carbide Forming Insert

www.cddmd.com



成都戴梦迪超硬工具有限责任公司
CHENGDU DIAMOND TOOLS CO.,LTD

最大程度满足用户的需求、与用户共同成长
Try our best to meet the customers' needs and Grow up together!



公司简介 Introduction

成都戴梦迪超硬工具有限责任公司是专业生产PCBN/PCD金属切削刀具、PCBN/PCD轧辊刀具、PCD螺旋立铣刀、PCD木工刀具、PCD石材刀具、硬质合金螺紋刀片、硬质合金成形刀片的民营企业

公司制造设备先进,技术力量雄厚

公司的宗旨:“最大程度满足用户需求,与用户共同成长”

公司生产的刀具产品在替代进口刀具;高速切削;高稳定性加工以车代磨;硬态加工等方面效果显著。尤其适合于汽车、电子行业的规模化生产。公司目前已成为国内众多汽车及零部件制造厂的指定供应商,产品远销海外市场

公司已通过ISO9001-2008质量管理体系认证、出口SGS认证

Chengdu Diamond Tools Co.,Ltd is a business enterprise specialized in PCBN/PCD metal cutting tools、Roller tools、PCD End milling cutters、woodworking cutters、Stone engraving cutters、Carbide threading inserts and forming inserts.

It owns advanced equipments and many outstanding experts.

The company Aims: Try our best to meet the customers' needs and Grow up together!

Our goods are well known for their high stability, high cutting speed, high precision, good surface roughness and ideal substitutes for some imported products.

They are especially suitable for mass production of Automobile Industry and Electron Industry

Our tools have been exported to overseas market and enjoying good reputations.

The company has been granted with the ISO9001:2008 quality Certificated by CQC in China.

Also Obtained the “Audited Supplier” Certificated by SGS.



第一部分 硬质合金切槽刀片 Part I Carbide grooving insert

- 1.1 立装切槽刀片 V-style grooving insert.....1
- 1.2 平装切槽刀片 Standard grooving insert.....3
- 1.3 平装切槽刀杆 Standard grooving tool holder.....3
- 1.4 内孔切槽刀片 Bore grooving insert.....4
- 1.5 条形切槽刀片 Bar-tapy grooving insert.....5

第二部分 专用硬质合金成形刀片 Part II Special carbide forming insert

- 2.1 活塞环内外仿刀片 Piston ring inside and outside copying insert.6
- 2.2 滚珠丝杠螺母成形刀片 Ball screw nut forming insert.....6
- 2.3 皮带轮成形刀片 Belt pully forming insert.....7
- 2.4 轴承成形刀片 Bearing forming insert.....7
- 2.5 汽车缸体R铣刀片 Auotmobile cylinder block R milling insert.....8
- 2.6 缸套凸台成形刀片 Cylinder liner convex plate forming insert.....8
- 2.7 有色金属成形铣刀片 Non-ferrous metal milling insert.....8
- 2.8 API石油管螺紋成形刀片 API Oil pipe thread froming insert.....8

最大程度满足用户的需求、与用户共同成长
Try our best to meet the customers' needs and Grow up together!

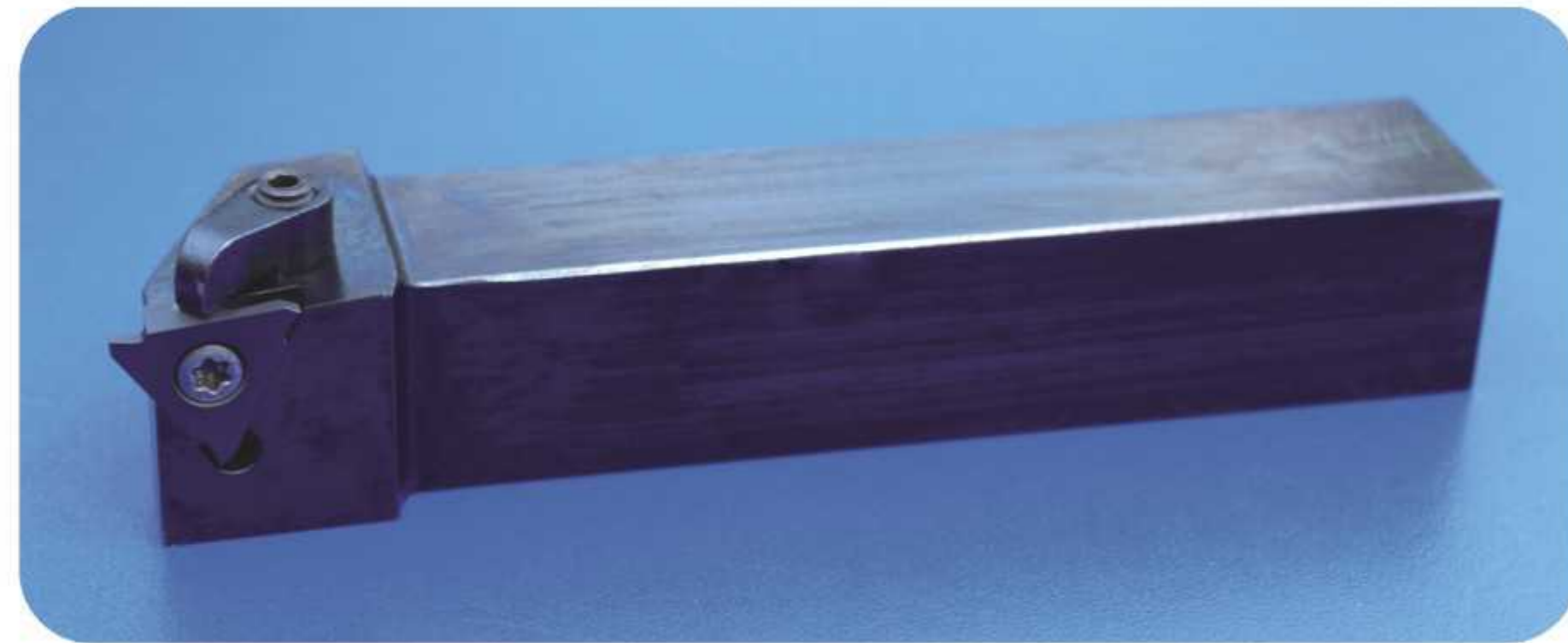
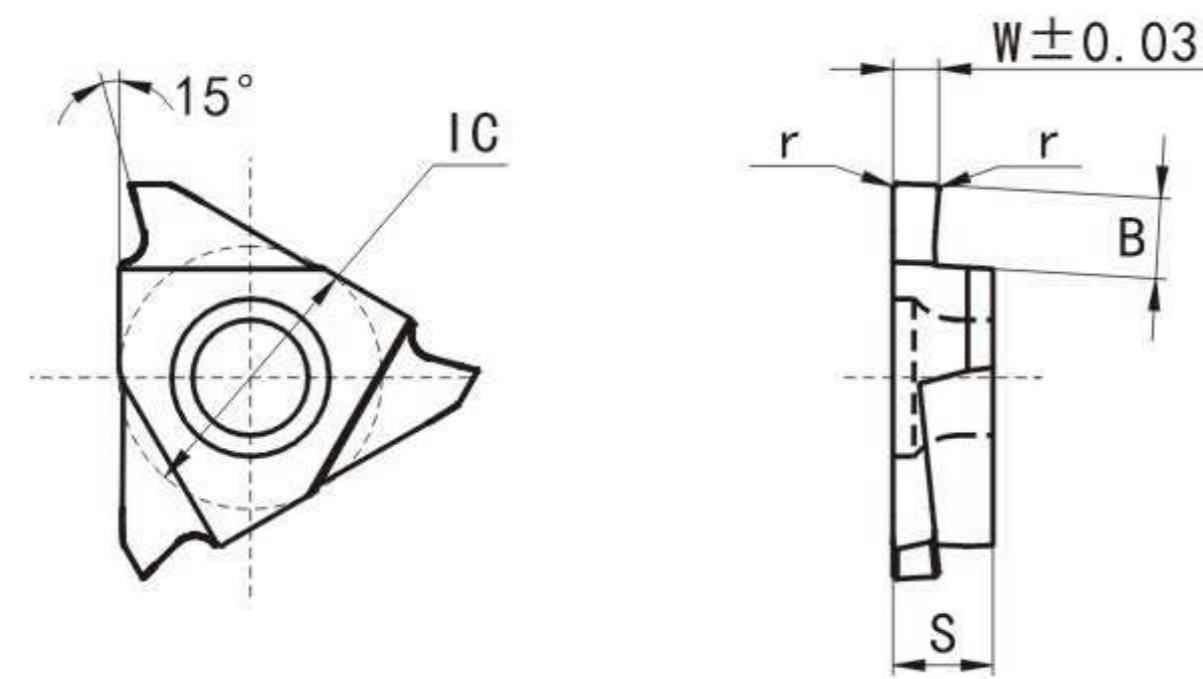
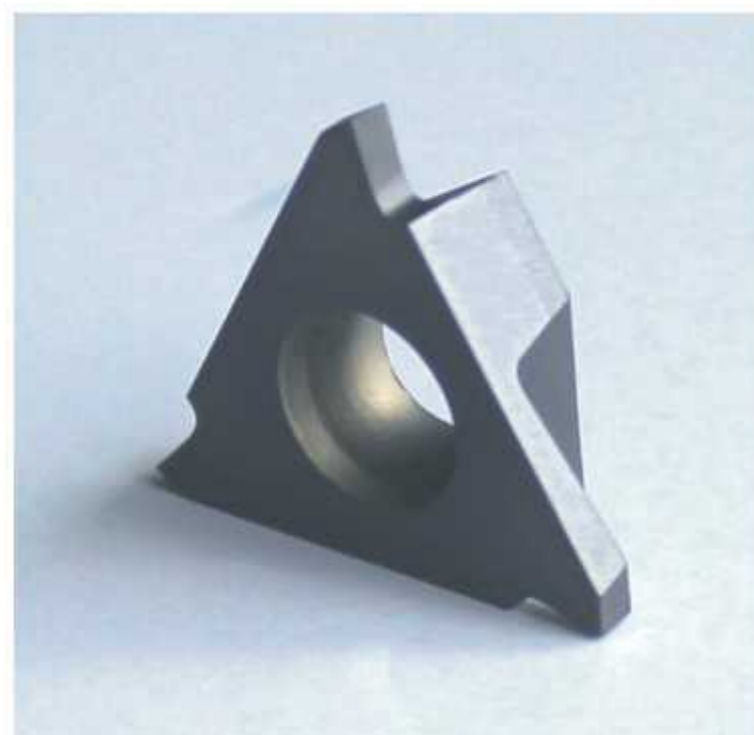


第一部分 硬质合金切槽刀片 Carbide grooving insert

1.1 立装切槽刀片 V-style grooving insert

刀片的命名规则 Number rule:

T		B		W		R		4		200	
刀片形状 Type		定位边后角 clearance		孔型 Hole type		方向 Direction		IC		W	
T		N	0°	A		R	右	3	9.525	200	2.0mm
		B	5°	W		L	左	4	12.7	250	2.5mm
									



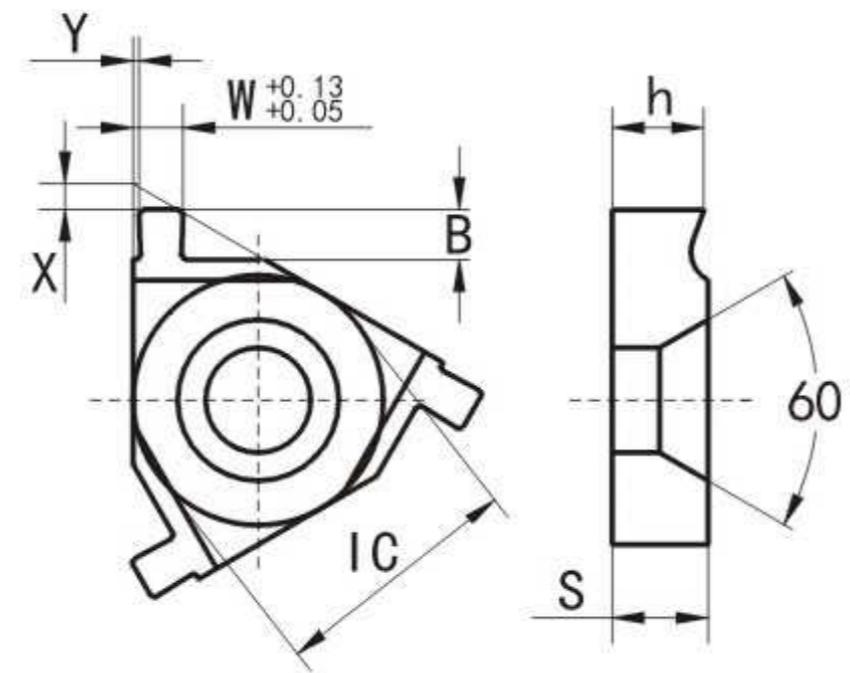
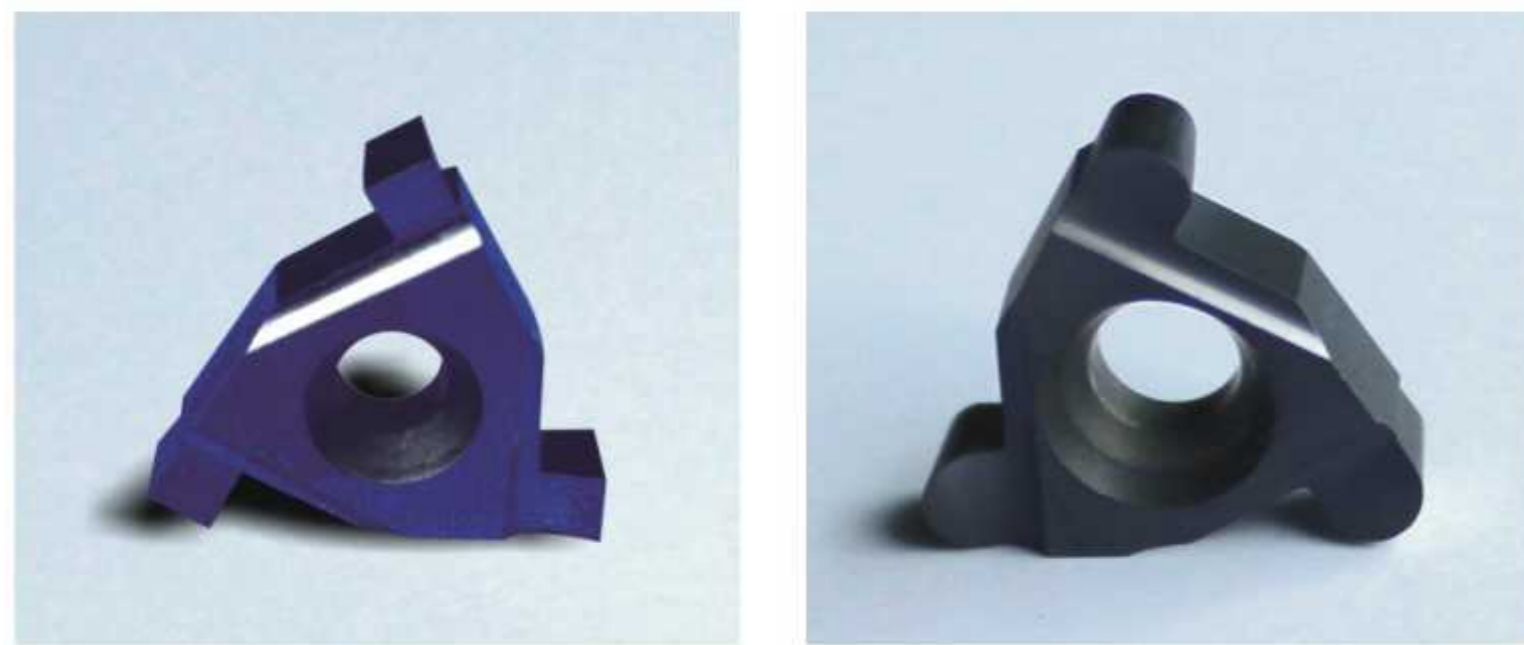
立装切槽刀片规格 V-style grooving insert specification

订货号 Order No.	W	B	r	IC	S	涂层 Coating							
						TiN	TiAlN						
TBWR/L3075	0.75	2.0	0.1	9.525	3.18								
TBWR/L3100	1.00												
TBWR/L3110	1.10												
TBWR/L3125	1.25												
TBWR/L3135	1.35												
TBWR/L3145	1.45												
TBWR/L3150	1.50												
TBWR/L3165	1.65												
TBWR/L3175	1.75												
TBWR/L3185	1.85												
TBWR/L3200	2.00	2.5											
TBWR/L3220	2.20												
TBWR/L3230	2.30												
TBWR/L3250	2.50												
TBWR/L3265	2.65												
TBWR/L3270	2.75												
TBWR/L3280	2.80												
TBWR/L4125	1.25							2.0					
TBWR/L4145	1.45												
TBWR/L4150	1.50												
TBWR/L4165	1.65												
TBWR/L4175	1.75												
TBWR/L4185	1.85												
TBWR/L4200	2.00												
TBWR/L4220	2.20												
TBWR/L4230	2.30												
TBWR/L4250	2.50												
TBWR/L4265	2.65	0.2	12.7	4.76									
TBWR/L4270	2.70												
TBWR/L4280	2.80												
TBWR/L4300	3.00												
TBWR/L4320	3.20												
TBWR/L4330	3.30												
TBWR/L4350	3.50												
TBWR/L4370	3.70												
TBWR/L4390	3.90												
TBWR/L4400	4.00												
TBWR/L4410	4.10												
TBWR/L4420	4.20												
TBWR/L4430	4.30												
TBWR/L4440	4.40												

▲ 订货举例: TBWR4200 TiN 100片 Order example: TBWR4200 TiN 100pcs



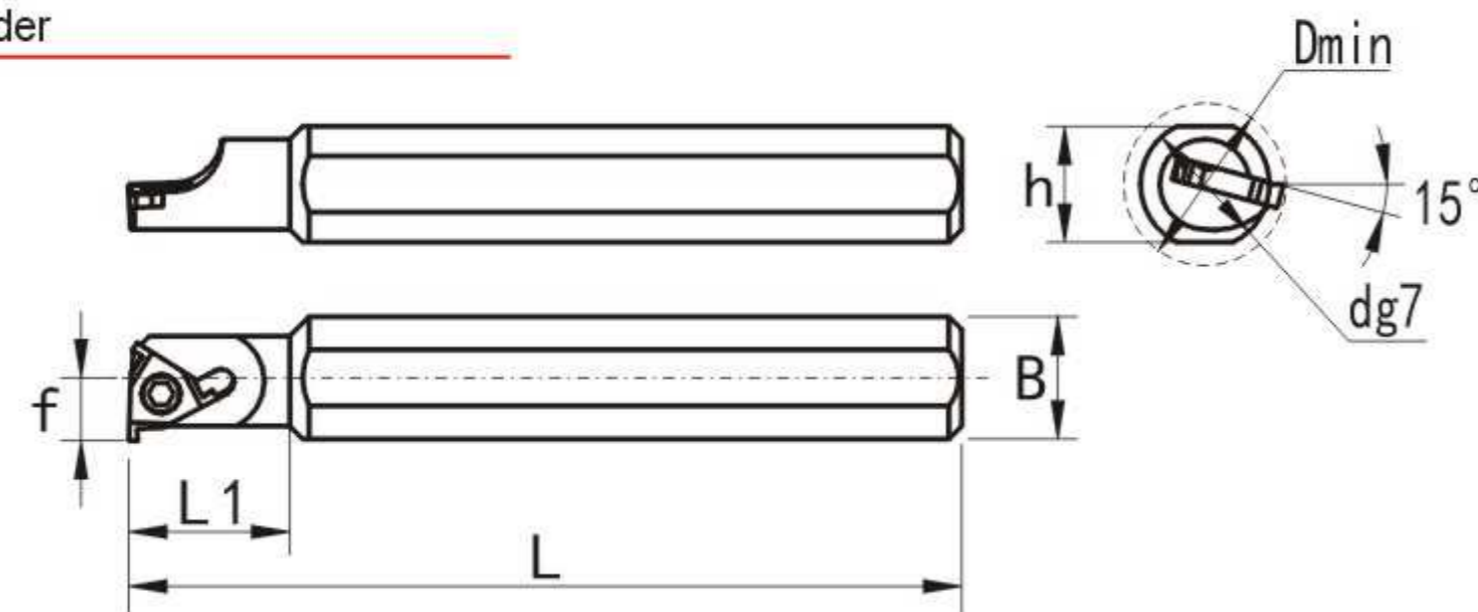
1.2 平装切槽刀片 Standard grooving insert



订货号 Order No.	W	B	IC	X	Y	涂层 Coating	
						TiN	TiAlN
11R/L 1.1	1.1	0.7	6.35	0.7	0.05	●	●
16R/L 1.1		0.9					
16R/L 1.3	1.6						
16R/L 1.6	1.85	9.525					
16R/L 1.7							
16R/L 1.85							
22R/L 1.85	2.2	12.7	1.35				
22R/L 2.15				1.7			
22R/L 2.2							
22R/L 2.65			1.8				
22R/L 2.7							

▲ 订货举例: 16L1.85 TiN 100片 Order example:16L1.85 TiN 100pcs

1.3 平装切槽刀杆 Standard grooving tool holder

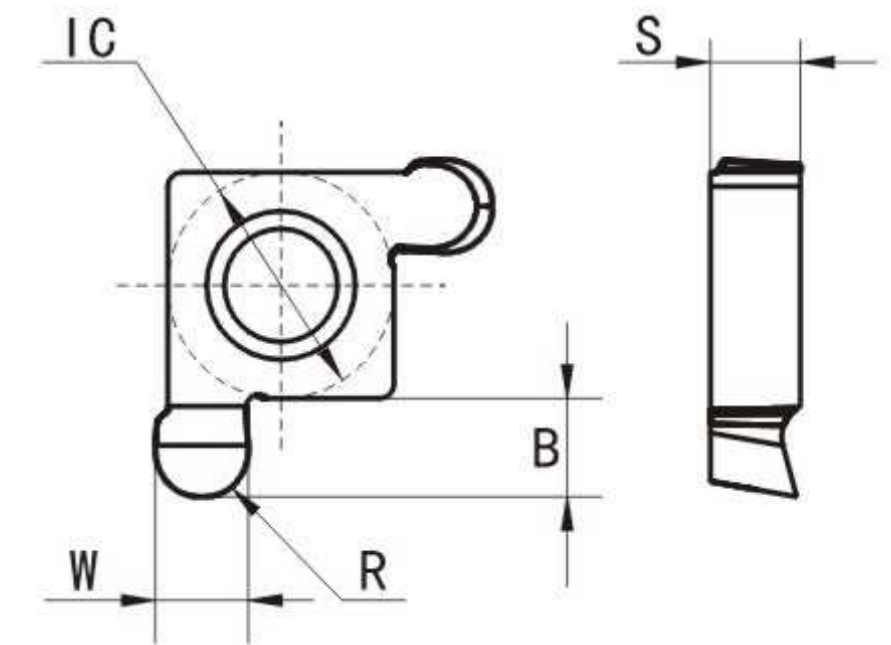
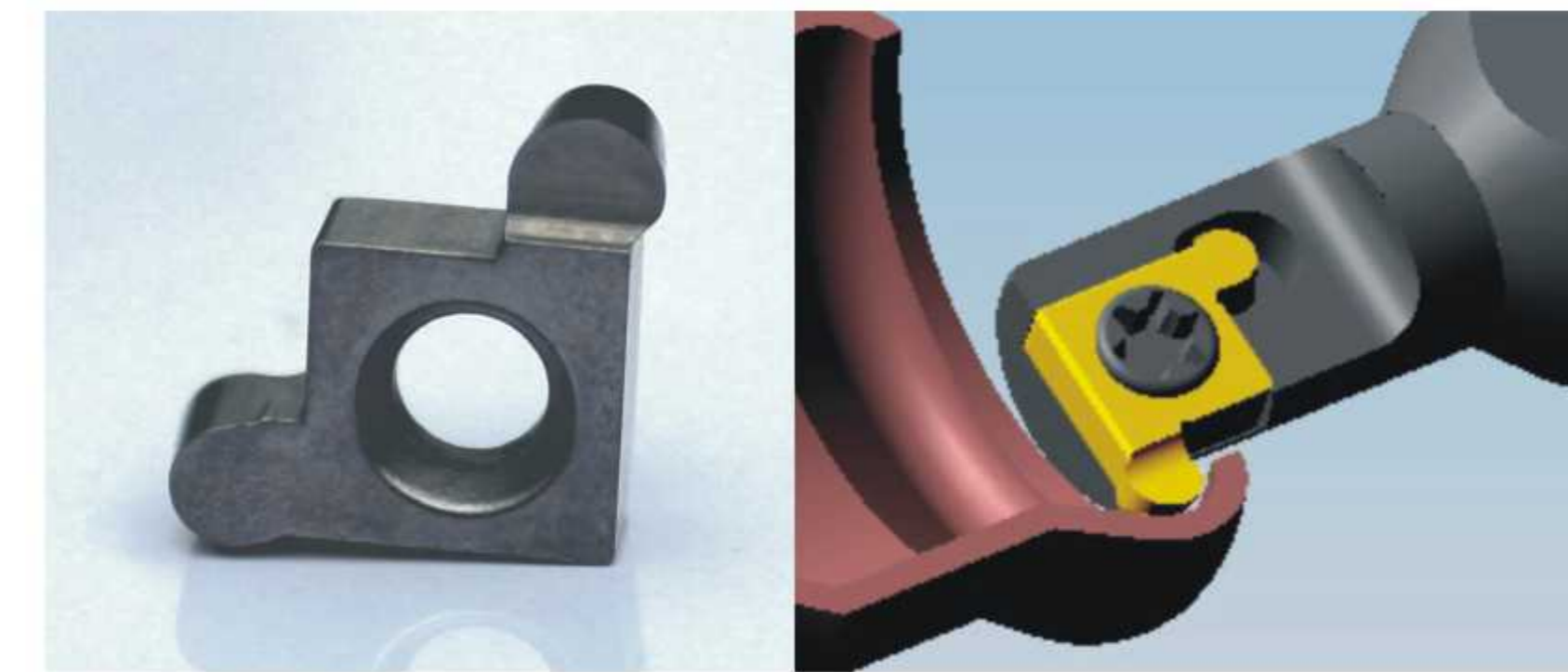


订货号 Order No.	尺寸 Dimension(mm)							刀片 Insert
	d	f	L	h	Dmin	B	L1	
SNR/L0010H11	10	7	100	9	12	9	25	11IR/L...
SNR/L0012K11	12	9	125	11	16	11.5	32	
SNR/L0016M16	16	12	150	15	20	15.5	32	16IR/L...
SNR/L0020P16	20	14	180	18	25	19	40	
SNR/L0025M16	25	17.5	150	23	30	24	40	
SNR/L0032S16	32	22	250	30	37	30	55	
SNR/L0032S22	32	22	250	30	37	30	55	22IR/L...

▲ 订货举例: SNR0010H11 1套 Order example:SNR0010H11 1set



1.4 内孔切槽刀片 Bore grooving insert



订货号 Order No.	W	B	底孔不小于 Min.bottom hole Dia.	IC	S	涂层 Coating	
						TiN	TiAlN
T6R/L 1.15	1.15	1.7	Φ11	6	3.18	●	●
T6R/L 1.35	1.35						
T6R/L 1.55	1.55						
T6R/L 1.75	1.75						
T8R/L 1.95	1.95						
T8R/L 2.15	2.15	3.2	Φ15.5	8	3.18		
T8R/L 2.35	2.35						
T8R/L 2.65	2.65						
T8R/L 2.85	2.85						
T8R/L 3.00	3.00						
T8R/L 3.20	3.20						
T8R/L 3.45	3.45						
T12R/L 3.65	3.65	4.2	Φ22	12	4.76		
T12R/L 3.95	3.95						
T12R/L 4.20	4.20						
T12R/L 4.50	4.50						
T12R/L 4.75	4.75						

▲ 订货举例: T8R2.15 TiN 100片 Order example:T8R2.15 TiN 100pcs



1.5 条形切槽刀片 Bar-type grooving insert

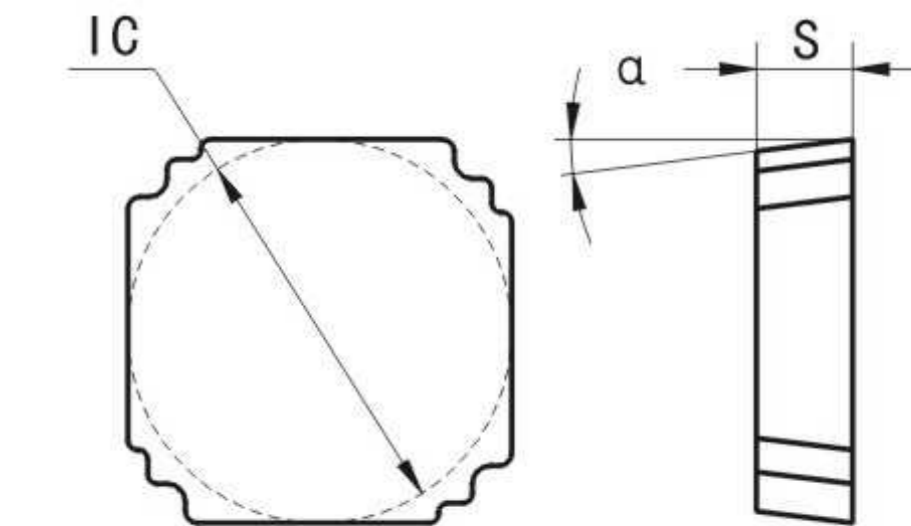
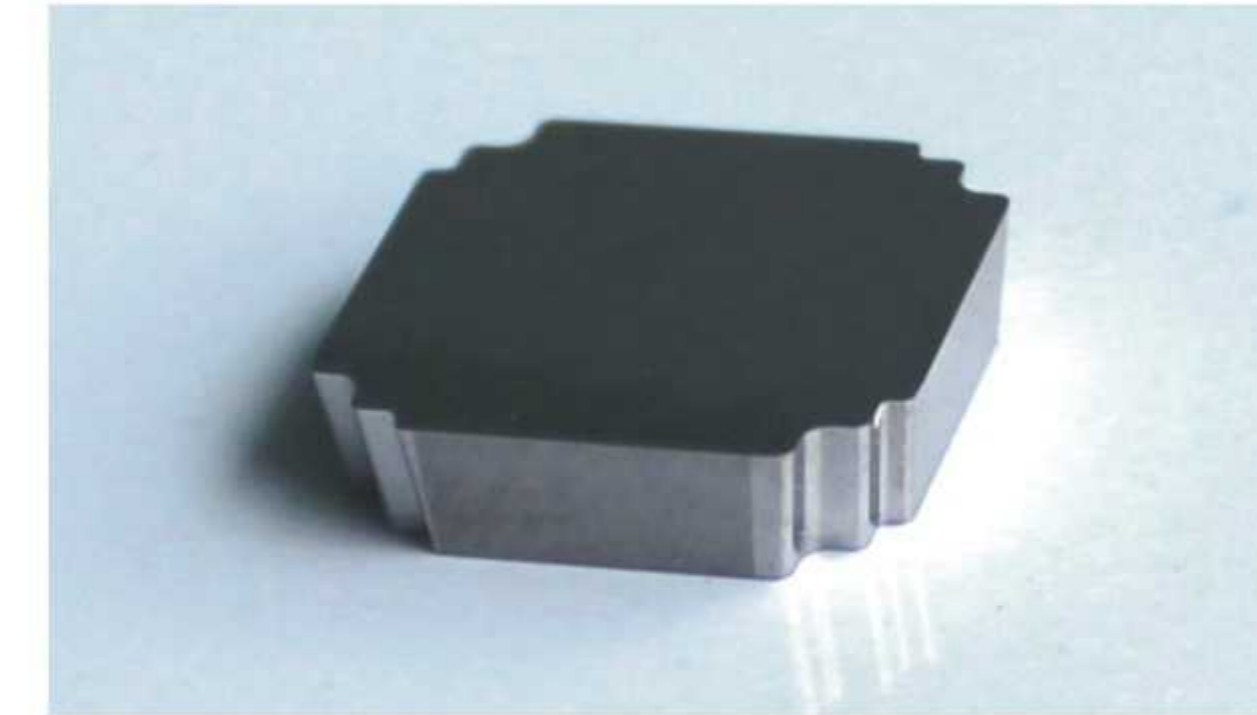
结构图 Structure	订货号 Order No.	尺寸 Dimension(mm)				
		b	r	l	d	t
	MGMN150-M	1.5	0.15	16.0	1.2	3.5
	MGMN200-M	2.0	0.2	16.0	1.6	3.5
	MGMN250-M	2.5	0.2	18.5	2.0	3.85
	MGMN300-M	3.0	0.4	21.0	2.35	4.8
	MGMN400-M	4.0	0.4	21.0	3.3	4.8
	MGMN500-M	5.0	0.8	26.0	4.1	5.8
MGMN600-M	6.0	0.8	26.0	5.0	5.8	
	MRMN200-M	2.0	1.0	16.0	1.5	3.5
	MRMN300-M	3.0	1.5	21.0	2.35	4.8
	MRMN400-M	4.0	2.0	21.0	3.3	4.8
	MRMN500-M	5.0	2.5	26.0	4.1	5.8
	MRMN600-M	6.0	3.0	26.0	5.0	5.8

▲ 订货举例: MGMN300-M 100片 Order example:MGMN300-M 100pcs



第二部分 专用成形刀片 Special carbide forming insert

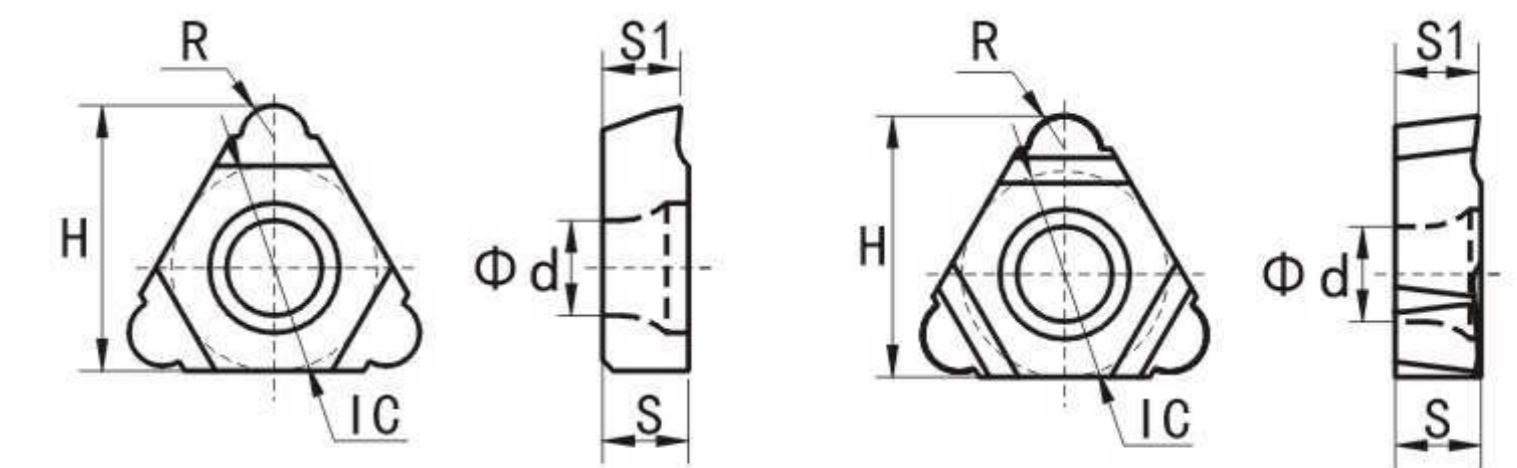
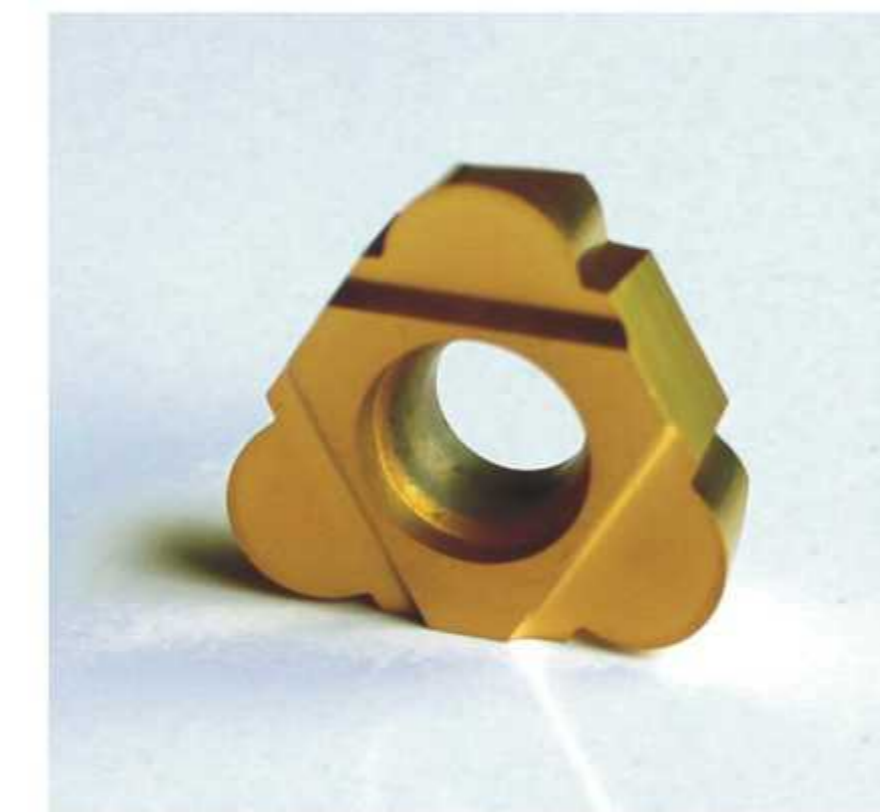
2.1 活塞环内外仿刀片 Piston ring inside and outside copying insert



订货号 Order No.	IC	S	α	备注 Remark
SCGN1203-1	12.7	3.18	7°	内孔刀片 bore insert
SCGN1203-2	12.7	3.18	7°	外圆刀片 external insert

▲ 订货举例: SCGN1203-1 100片 Order example:SCGN1203-1 100pcs

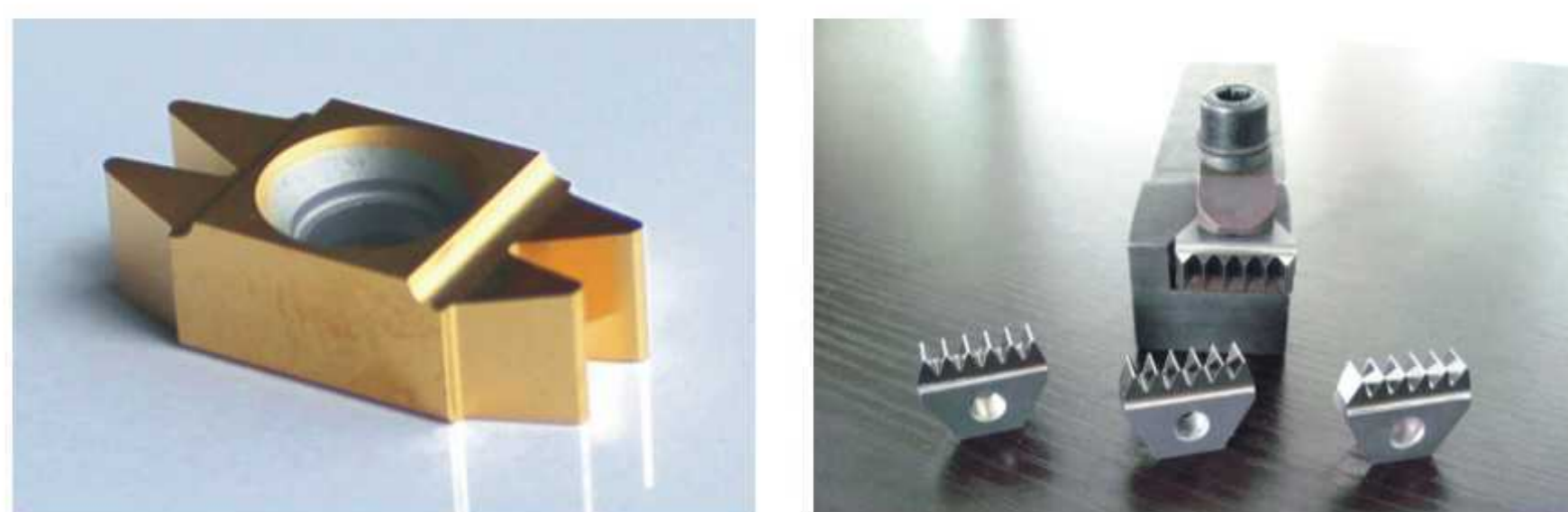
2.2 滚珠丝杠螺母成形刀片 Ball screw nut forming insert



订货号 Order No.	R	IC	Φd	S	S1	H
$\Phi 2.38$	1.19	9.525	4.4	3.97	3.85	12.1
$\Phi 3$	1.5					
$\Phi 3.175$	1.59					
$\Phi 3.5$	1.75					
$\Phi 3.969$	1.98					
$\Phi 4.76$	2.38	12.7	5.5	4.76	4.6	15.3
$\Phi 5$	2.5					
$\Phi 5.953$	2.98					
$\Phi 6.35$	3.175					

▲ 订货举例: $\Phi 4.76$ 100片 Order example: $\Phi 4.76$ 100pcs

2.3 皮带轮成形刀片 Belt pulley forming insert

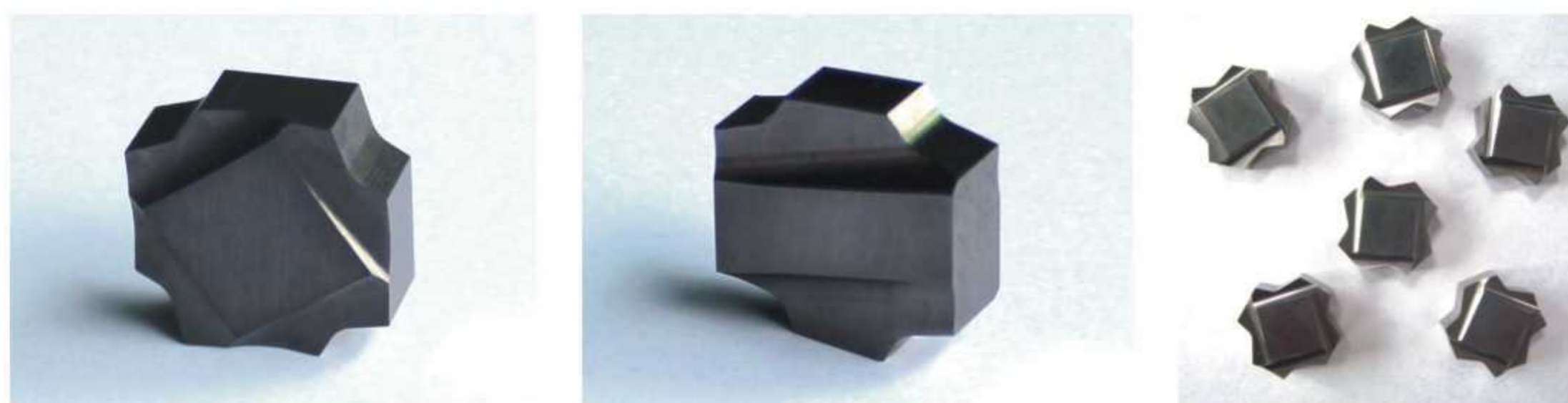


2.4 轴承成形刀片 Bearing forming insert

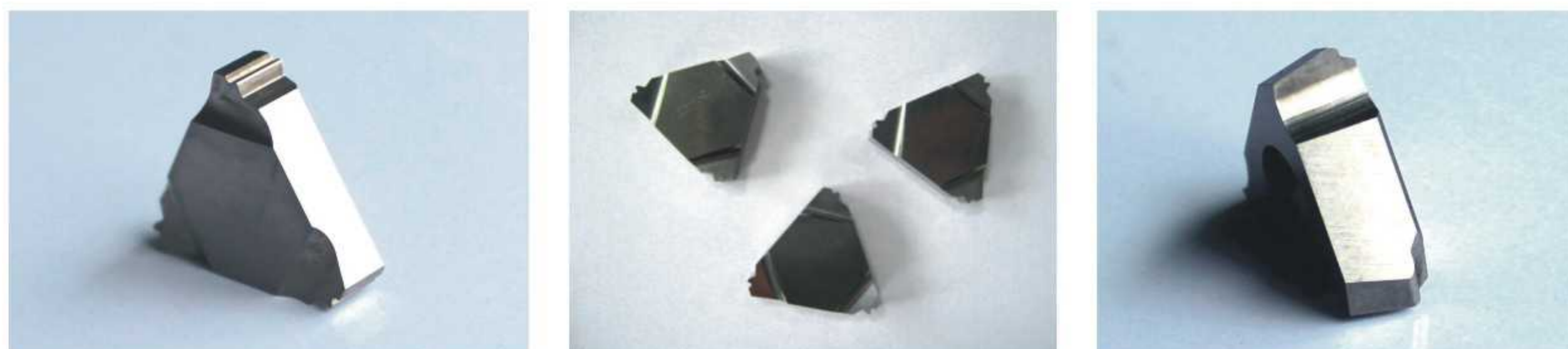
2.4.1 轴承沟道刀片 Bearing channel insert



2.4.2 轴承倒角刀片 Bearing external forming insert



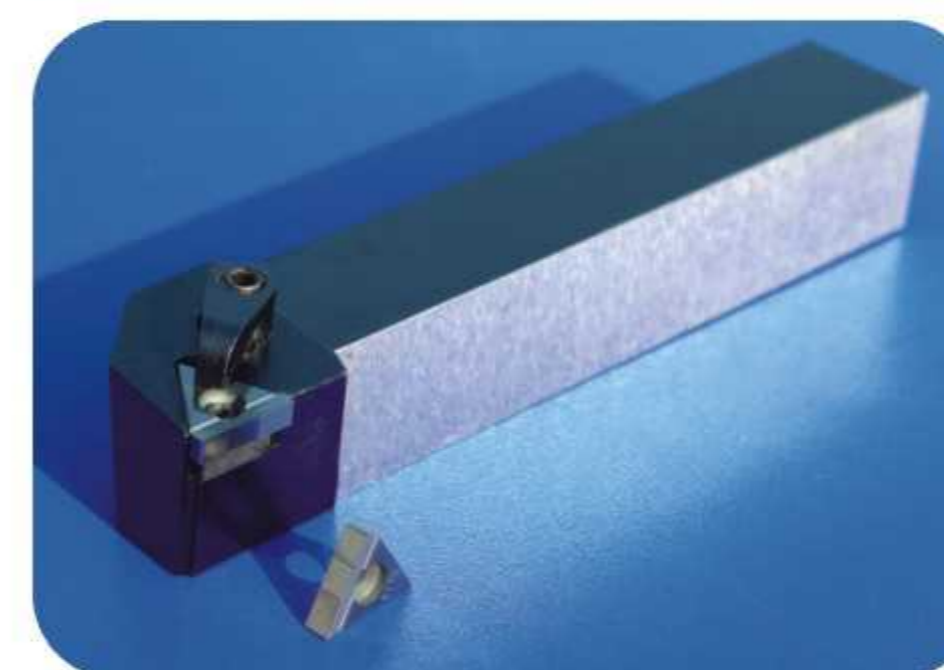
2.4.3 轴承密封圈成型刀片 Bearing seal ring forming insert



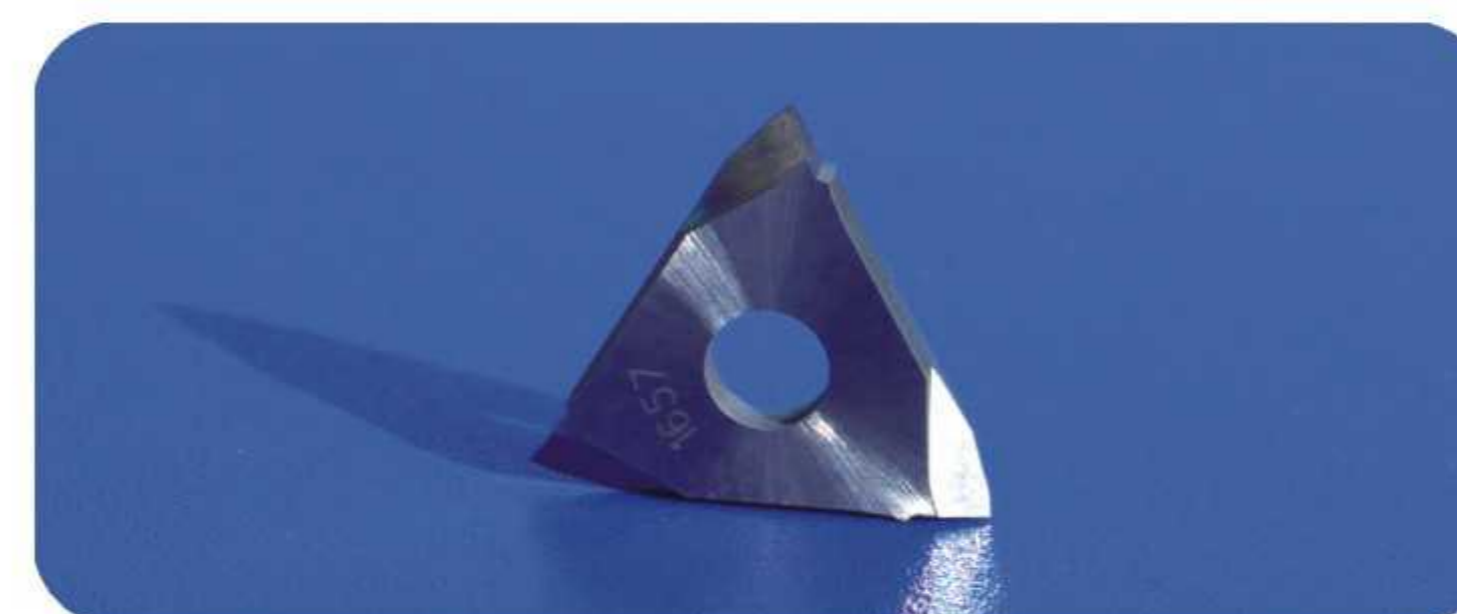
2.5 汽车缸体R铣刀片 Automobile cylinder block R milling insert



2.6 缸套凸台成形刀片 Cylinder liner convex plate forming insert



2.7 有色金属成形铣刀片 Non-ferrous metal milling insert



2.8 API石油管螺纹成形刀片 API Oil pipe thread forming insert

